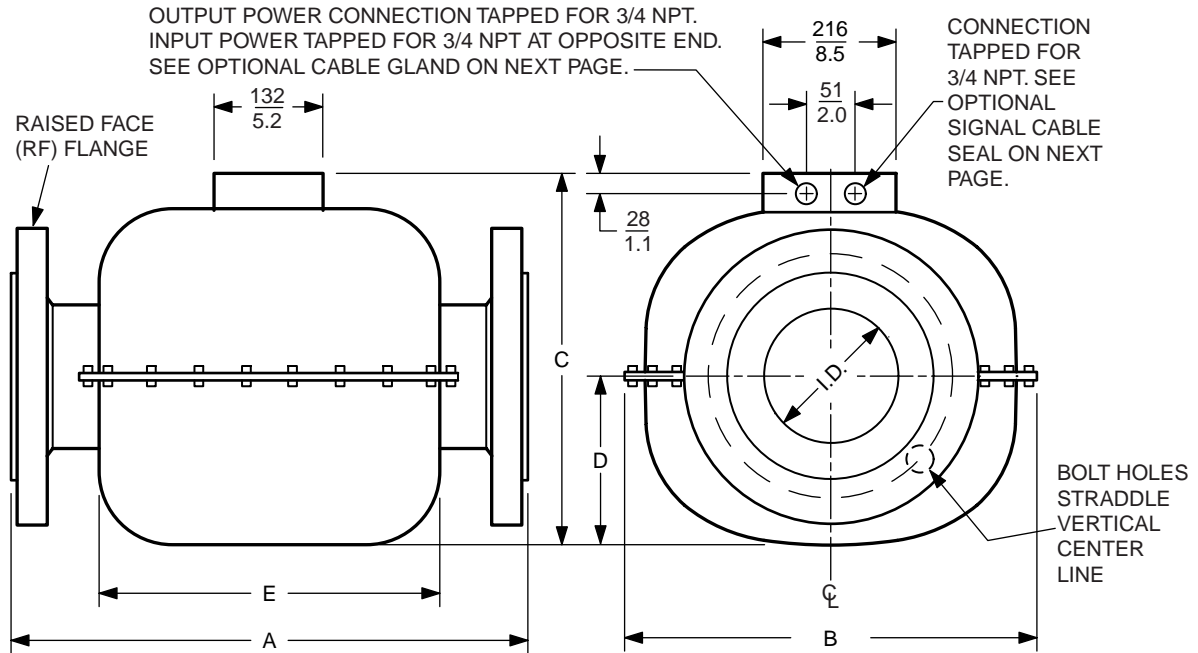


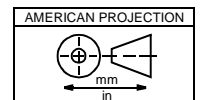
## 2800 Series Flanged Magnetic Flowtubes 350 through 900 mm (14 through 36 in) Flowtube Sizes Style C



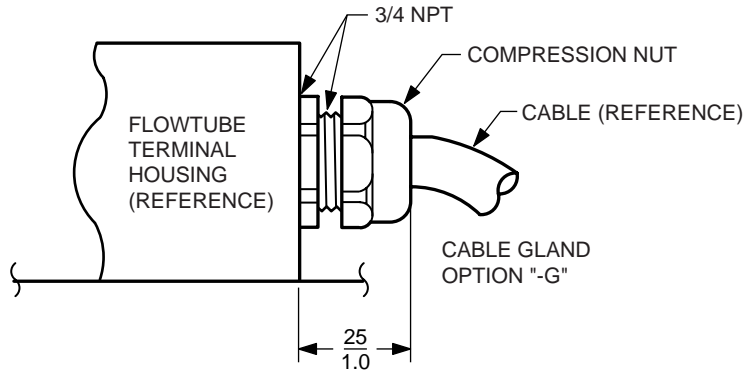
Nominal Line Size		Nominal Dimensions									Approximate Mass	
mm	in	A(a)	A(b)(c)	B	C	D	E	I.D.(a)	I.D.(b)	I.D.(c)	kg	lb
350	14	$\frac{726}{28.6}$	$\frac{711}{28.0}$	$\frac{813}{32.0}$	$\frac{734}{28.9}$	$\frac{330}{13.0}$	$\frac{508}{20.0}$	$\frac{341.4}{13.44}$	$\frac{337.9}{13.25}$	$\frac{339.9}{13.38}$	170	375
400	16	$\frac{772}{30.6}$	$\frac{762}{30.0}$	$\frac{813}{32.0}$	$\frac{734}{28.9}$	$\frac{330}{13.0}$	$\frac{508}{20.0}$	$\frac{391.1}{15.40}$	$\frac{387.4}{15.25}$	$\frac{390.9}{15.38}$	195	425
450	18	$\frac{879}{34.6}$	$\frac{864}{34.0}$	$\frac{998}{39.3}$	$\frac{886}{34.9}$	$\frac{404}{15.9}$	$\frac{660}{26.0}$	$\frac{440.9}{17.36}$	$\frac{438.1}{17.25}$	$\frac{441.5}{17.38}$	215	475
500	20	$\frac{879}{34.6}$	$\frac{864}{34.0}$	$\frac{998}{39.3}$	$\frac{886}{34.9}$	$\frac{404}{15.9}$	$\frac{660}{26.0}$	$\frac{490.7}{19.32}$	$\frac{488.9}{19.25}$	$\frac{492.3}{19.38}$	285	625
600	24	$\frac{980}{38.6}$	$\frac{965}{38.0}$	$\frac{1209}{47.6}$	$\frac{1092}{43.0}$	$\frac{505}{19.9}$	$\frac{742}{29.2}$	$\frac{592.3}{23.32}$	$\frac{584.2}{23.00}$	$\frac{593.9}{23.38}$	410	900
750	30	N/A	$\frac{1067}{42.0}$	$\frac{1473}{58.0}$	$\frac{1214}{47.8}$	$\frac{579}{22.8}$	$\frac{889}{35.0}$	N/A	$\frac{736.6}{29.00}$	$\frac{746.3}{29.38}$	545	1200
900	36	N/A	$\frac{1219}{48.0}$	$\frac{1676}{66.0}$	$\frac{1372}{54.0}$	$\frac{645}{25.5}$	$\frac{2040}{80.3}$	N/A	$\frac{889.0}{35.00}$	$\frac{898.7}{35.38}$	660	1450

(a) ptfE LINING; (b) POLYURETHANE LINING (c) NEOPRENE LINING

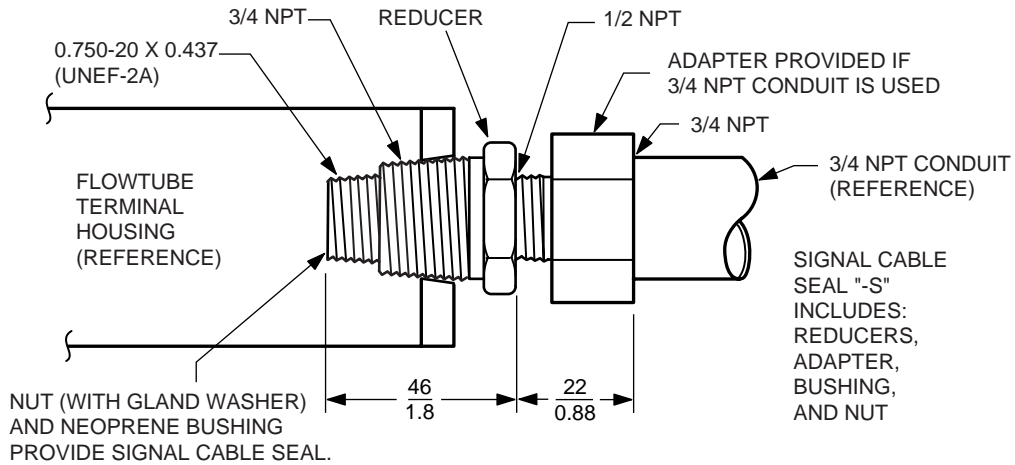
**For dimensional information specific to your sales order, refer to Certified Dimensional Prints (CDPs) which can be ordered from your Foxboro Sales Office or authorized factory representative.**



OPTIONAL CABLE GLAND FOR NONCONDUIT APPLICATIONS



OPTIONAL SIGNAL CABLE SEAL FOR CONDUIT APPLICATIONS



**The Foxboro Company**  
 33 Commercial Street  
 Foxboro, MA 02035-2099  
 United States of America  
<http://www.foxboro.com>  
 Inside U.S.: 1-888-FOXBORO  
 (1-888-369-2676)  
 Outside U.S.: Contact your  
 local Foxboro Representative.  
 Facsimile: (508) 549-4492

**An invensys company**

Foxboro is a registered trademark of The Foxboro Company.

Copyright 1993 by The Foxboro Company  
 All rights reserved