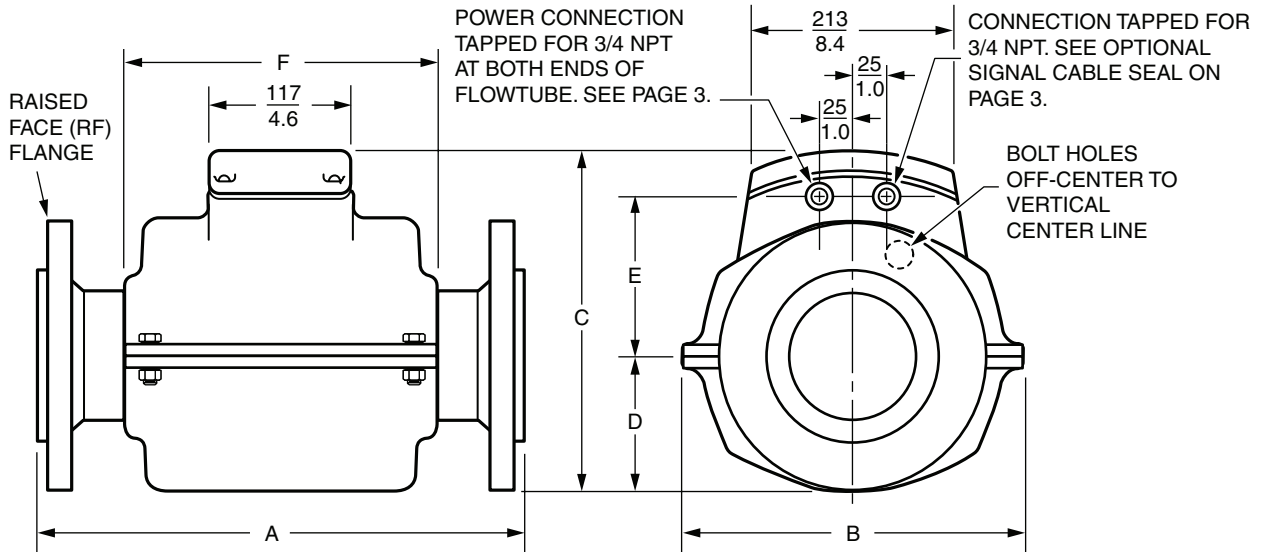


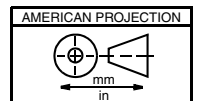
2800 Series Magnetic Flowtube Sizes 2.5 to 300 mm (1/10 to 12 in) With Lined Metal Metering Tube



Nominal Size		A*	A**	B	C	D	E	F	Inside Diameter		Approximate Mass	
mm	in								ID*	ID**	kg	lb
15	1/2	365 14.4	--	273 10.8	294 11.6	114 4.5	141 5.6	221 8.7	12.70 0.500	--	16	36
25	1	365 14.4	--	273 10.8	294 11.6	114 4.5	141 5.6	221 8.7	241.71 0.973	--	18	40
40	1 1/2	365 14.4	--	273 10.8	294 11.6	114 4.5	141 5.6	221 8.7	39.57 1.558	--	20	45
50	2	365 14.4	356 14.0	273 10.8	294 11.6	114 4.5	141 5.6	221 8.7	51.71 2.036	35.76 1.408	21	46
80	3	418 16.4	406 16.0	292 11.58	289 11.4	113 4.4	138 5.4	265 10.4	78.44 3.088	63.75 2.510	27	60
100	4	418 16.4	406 16.0	292 11.5	289 11.4	113 4.4	138 5.4	265 10.4	103.84 4.088	82.80 3.260	34	76
150	6	522 20.6	508 20.0	400 15.8	360 14.2	146 5.8	176 6.9	345 13.6	155.12 6.107	136.04 5.356	55	122
200	8	624 24.6	610 24.0	483 19.0	418 16.4	171 6.8	205 8.1	403 15.9	203.28 8.003	186.13 7.328	85	188
250	10	727 28.6	711 28.0	611 24.1	483 19.0	208 8.2	237 9.3	445 17.5	256.39 10.094	239.27 9.420	91	200
300	12	829 32.6	813 32.0	718 28.3	567 22.3	249 9.8	279 11.0	505 19.9	306.43 12.064	289.31 11.390	125	275

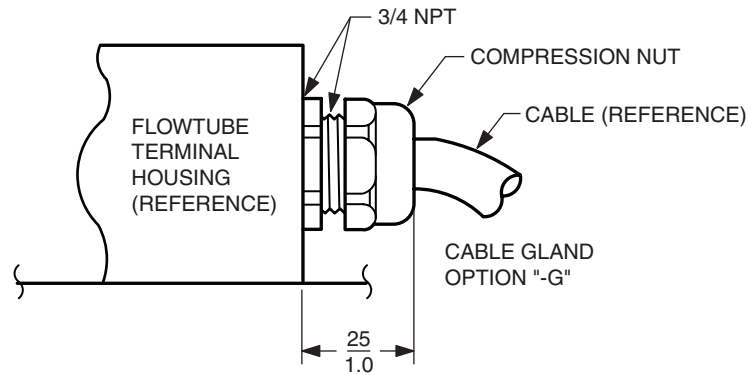
* ptf Lining ** Polyurethane Lining

Note: Add 25 mm (1.0 in) to dimension A if flowtube has optional teflon lining protector (Optional Suffix "-T").

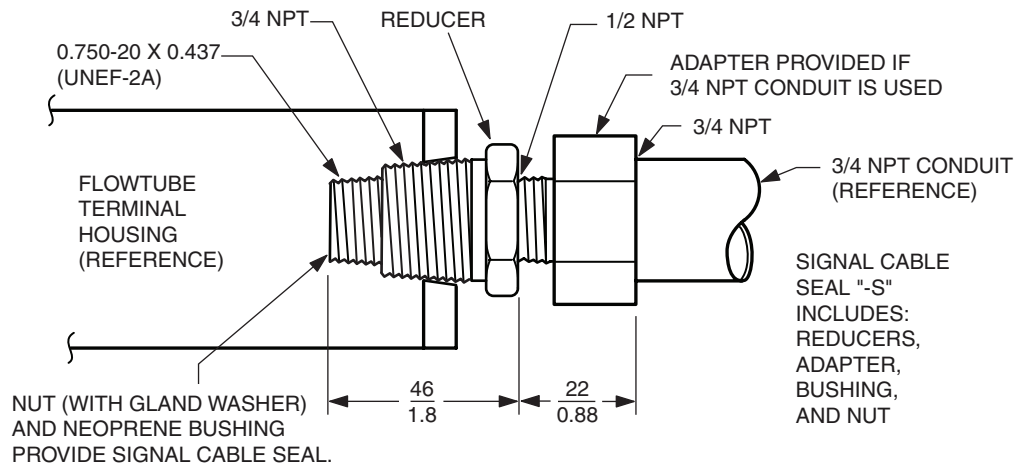


For dimensional information specific to your sales order, refer to Certified Dimensional Prints (CDPs) which can be ordered from your Foxboro Sales Office or authorized factory representative.

OPTIONAL CABLE GLAND FOR NONCONDUIT APPLICATIONS



OPTIONAL SIGNAL CABLE SEAL FOR CONDUIT APPLICATIONS



33 Commercial Street
Foxboro, MA 02035-2099
United States of America
www.foxboro.com
Inside U.S.: 1-866-746-6477
Outside U.S.: 1-508-549-2424
or contact your local Foxboro
representative.
Facsimile: 1-508-549-4999

Invensys and Foxboro are trademarks of Invensys plc, its subsidiaries, and affiliates.
All other brand names may be trademarks of their respective owners.

Copyright 1993-2008 Invensys Systems, Inc.
All rights reserved

MB 190

Printed in U.S.A

0708